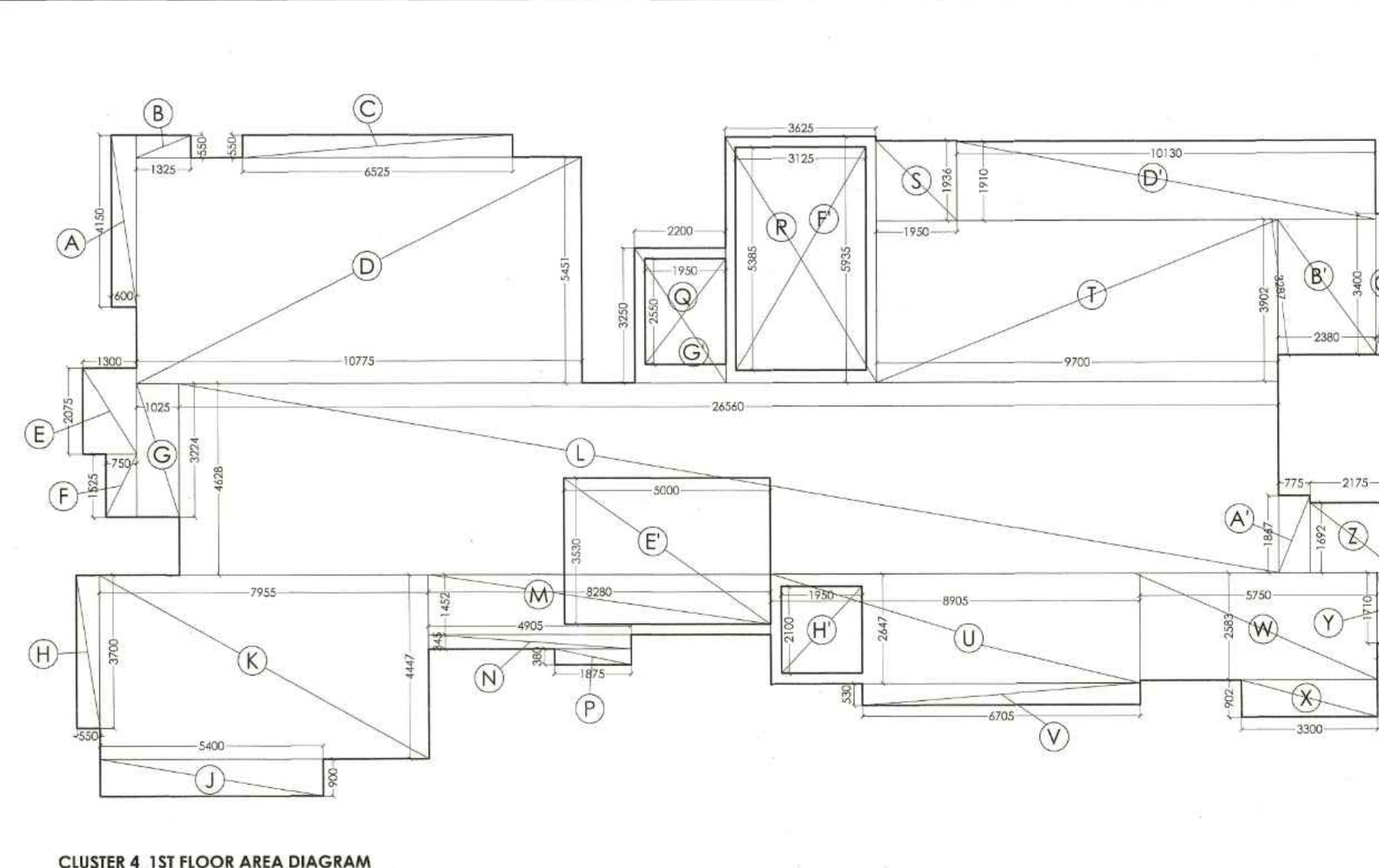
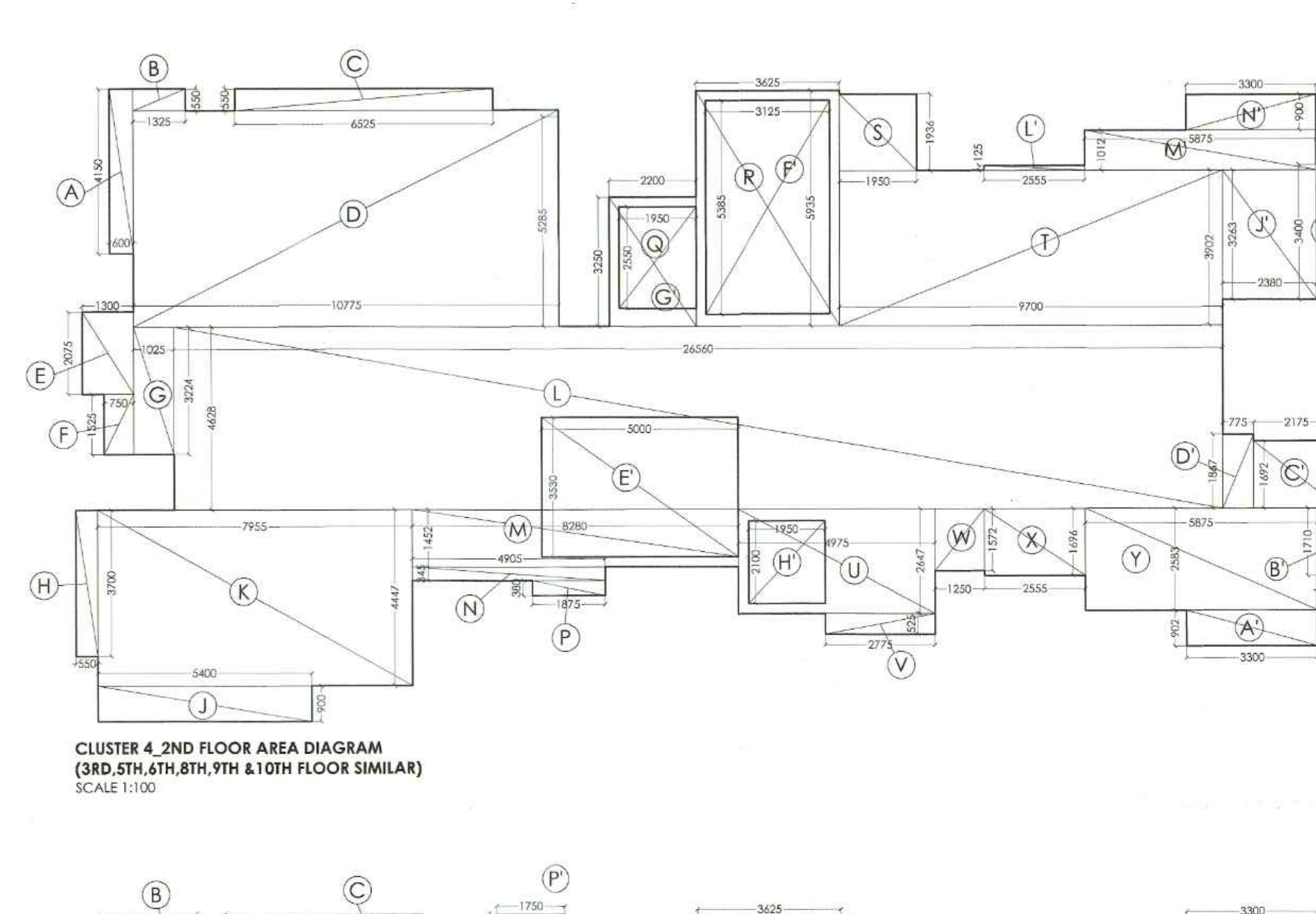


AREA CALCULATION FOR CLUSTER 4 - 1ST FLOOR					
SL. NO.	REGION	Length (in mm)	Width (in mm)	Factor	AREA (in Sq.M)
1	A	4150	600	1	2.49
2	B	1325	550	1	0.73
3	C	6525	550	1	3.59
4	D	10775	5450	1	58.72
5	E	1300	2075	1	2.70
6	F	750	1525	1	1.14
7	G	1025	3225	1	3.31
8	H	550	3700	1	2.04
9	J	5400	900	1	4.86
10	K	7955	4447	1	35.38
11	L	4628	26560	1	122.92
12	M	8280	1452	1	12.02
13	N	4905	345	1	1.69
14	P	1875	380	1	0.71
15	Q	2200	3750	1	7.15
16	R	3625	5935	1	21.51
17	S	1950	1936	1	3.78
18	T	9700	3900	1	37.83
19	U	8905	2647	1	23.57
20	V	6705	530	1	3.55
21	W	5790	2583	1	14.85
22	X	3900	902	1	2.98
23	Y	1710	570	1	0.97
24	Z	2175	1692	1	3.68
25	A'	1867	775	1	1.45
26	B'	2380	3263	1	7.77
27	C'	570	3400	1	1.94
28	D'	10130	1910	1	19.35
29	E'	1950	2550	-1	-4.97
30	F'	3950	2100	-1	-8.30
TOTAL BUILT UP AREA (A)					393.82
AREA DEDUCTION-STAIRCASE, LIFT LOBBY (NON FAR)					17.65
35	F'	5000	3530	1	17.65
36	F'	3125	5385	1	16.83
37	lift lobby 1			1	3.00
38	lift lobby 2			1	3.00
TOTAL NON FAR AREA(B)					40.48
TOTAL FAR AREA (A-B)					353.34



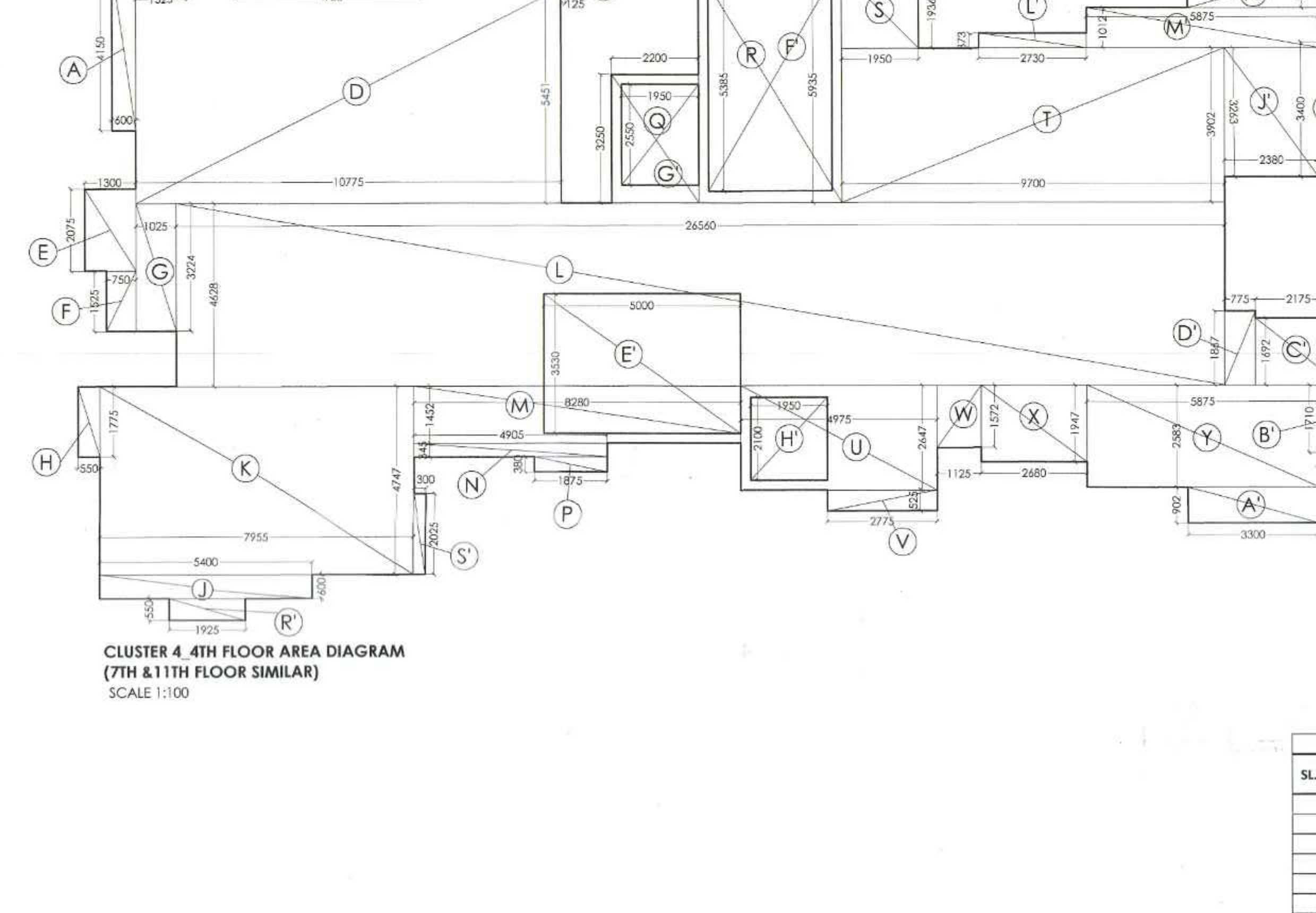
CLUSTER 4 1ST FLOOR AREA DIAGRAM
SCALE 1:100

AREA CALCULATION FOR CLUSTER 4 - 2ND FLOOR (3RD, 5TH, 6TH, 8TH, 9TH & 10 FLOOR SIMILAR)					
SL. NO.	REGION	Length (in mm)	Width (in mm)	Factor	AREA (in Sq.M)
1	A	4150	600	1	2.49
2	B	1325	550	1	0.73
3	C	6525	550	1	3.59
4	D	10775	5450	1	58.72
5	E	1300	2075	1	2.70
6	F	750	1525	1	1.14
7	G	1025	3225	1	3.31
8	H	550	3700	1	2.04
9	J	5400	900	1	4.86
10	K	7955	4447	1	35.38
11	L	4628	26560	1	122.92
12	M	8280	1452	1	12.02
13	N	4905	345	1	1.69
14	P	1875	380	1	0.71
15	Q	2200	3750	1	7.15
16	R	3625	5935	1	21.51
17	S	1950	1936	1	3.78
18	T	9700	3900	1	37.83
19	U	8905	2647	1	23.57
20	V	6705	530	1	3.55
21	W	5790	2583	1	14.85
22	X	3900	902	1	2.98
23	Y	1710	570	1	0.97
24	Z	2175	1692	1	3.68
25	A'	1867	775	1	1.45
26	B'	2380	3263	1	7.77
27	C'	570	3400	1	1.94
28	D'	10130	1910	1	19.35
29	E'	1950	2550	-1	-4.97
30	F'	3950	2100	-1	-8.30
TOTAL BUILT UP AREA (A)					377.95
AREA DEDUCTION-STAIRCASE, LIFT LOBBY (NON FAR)					17.65
35	F'	5000	3530	1	17.65
36	F'	3125	5385	1	16.83
37	lift lobby 1			1	3.00
38	lift lobby 2			1	3.00
TOTAL NON FAR AREA(B)					40.48
TOTAL FAR AREA (A-B)					337.47



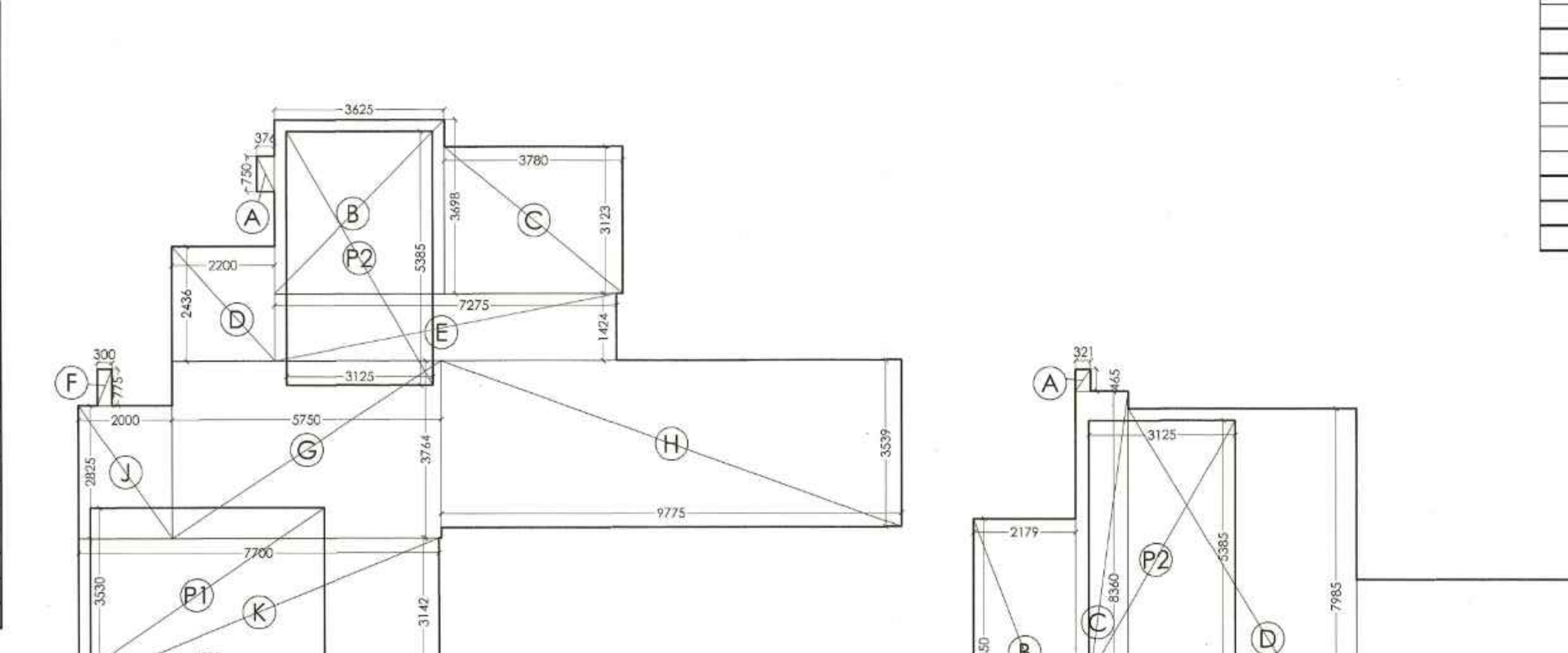
CLUSTER 4 2ND FLOOR AREA DIAGRAM
(3RD, 5TH, 6TH, 8TH, 9TH & 10TH FLOOR SIMILAR)
SCALE 1:100

AREA CALCULATION FOR CLUSTER 4 - 4TH FLOOR (7TH & 11TH FLOOR SIMILAR)					
SL. NO.	REGION	Length (in mm)	Width (in mm)	Factor	AREA (in Sq.M)
1	A	4150	600	1	2.49
2	B	1325	550	1	0.73
3	C	6525	550	1	3.59
4	D	10775	5450	1	58.72
5	E	1300	2075	1	2.70
6	F	750	1525	1	1.14
7	G	1025	3225	1	3.31
8	H	550	3700	1	2.04
9	J	5400	900	1	4.86
10	K	7955	4447	1	35.38
11	L	4628	26560	1	122.92
12	M	8280	1452	1	12.02
13	N	4905	345	1	1.69
14	P	1875	380	1	0.71
15	Q	2200	3750	1	7.15
16	R	3625	5935	1	21.51
17	S	1950	1936	1	3.78
18	T	9700	3900	1	37.83
19	U	8905	2647	1	23.57
20	V	6705	530	1	3.55
21	W	5790	2583	1	14.85
22	X	3900	902	1	2.98
23	Y	1710	570	1	0.97
24	Z	2175	1692	1	3.68
25	A'	1867	775	1	1.45
26	B'	2380	3263	1	7.77
27	C'	570	3400	1	1.94
28	D'	10130	1910	1	19.35
29	E'	1950	2550	-1	-4.97
30	F'	3950	2100	-1	-8.30
TOTAL BUILT UP AREA (A)					366.36
AREA DEDUCTION-STAIRCASE, LIFT LOBBY (NON FAR)					17.65
35	F'	5000	3530	1	17.65
36	F'	3125	5385	1	16.83
37	lift lobby 1			1	3.00
38	lift lobby 2			1	3.00
TOTAL NON FAR AREA(B)					40.48
TOTAL FAR AREA (A-B)					325.88



CLUSTER 4 4TH FLOOR AREA DIAGRAM
(7TH & 11TH FLOOR SIMILAR)
SCALE 1:100

AREA CALCULATION FOR CLUSTER 4 - STILT FLOOR					
SL. NO.	REGION	Length (in mm)	Width (in mm)	Factor	AREA (in Sq.M)
1	A	376	750	1	0.28
2	B	3625	3698	1	13.41
3	C	3780	3123	1	11.80
4	D	2200	2436	1	5.36
5	E	7775	1424	1	10.36
6	F	300	775	1	0.23
7	G	3750	3764	1	14.04
8	H	9775	3539	1	34.59
9	J	2000	2825	1	5.65
10	K	7700	3130	1	24.10
11	L	1875	175	1	0.33
12	M	2455	1180	1	2.90
13	N	258	530	1	0.14
TOTAL (A)					131.82
AREA DEDUCTION - STAIRCASE & LIFT LOBBY (NON FAR)					17.65
14	P1	5000	3530	1	17.65
15	P2	3125	5385	1	16.83
16	lift lobby 1			1	3.00
17	lift lobby 1			1	3.00
TOTAL (B)					40.48
TOTAL (A-B)					91.35

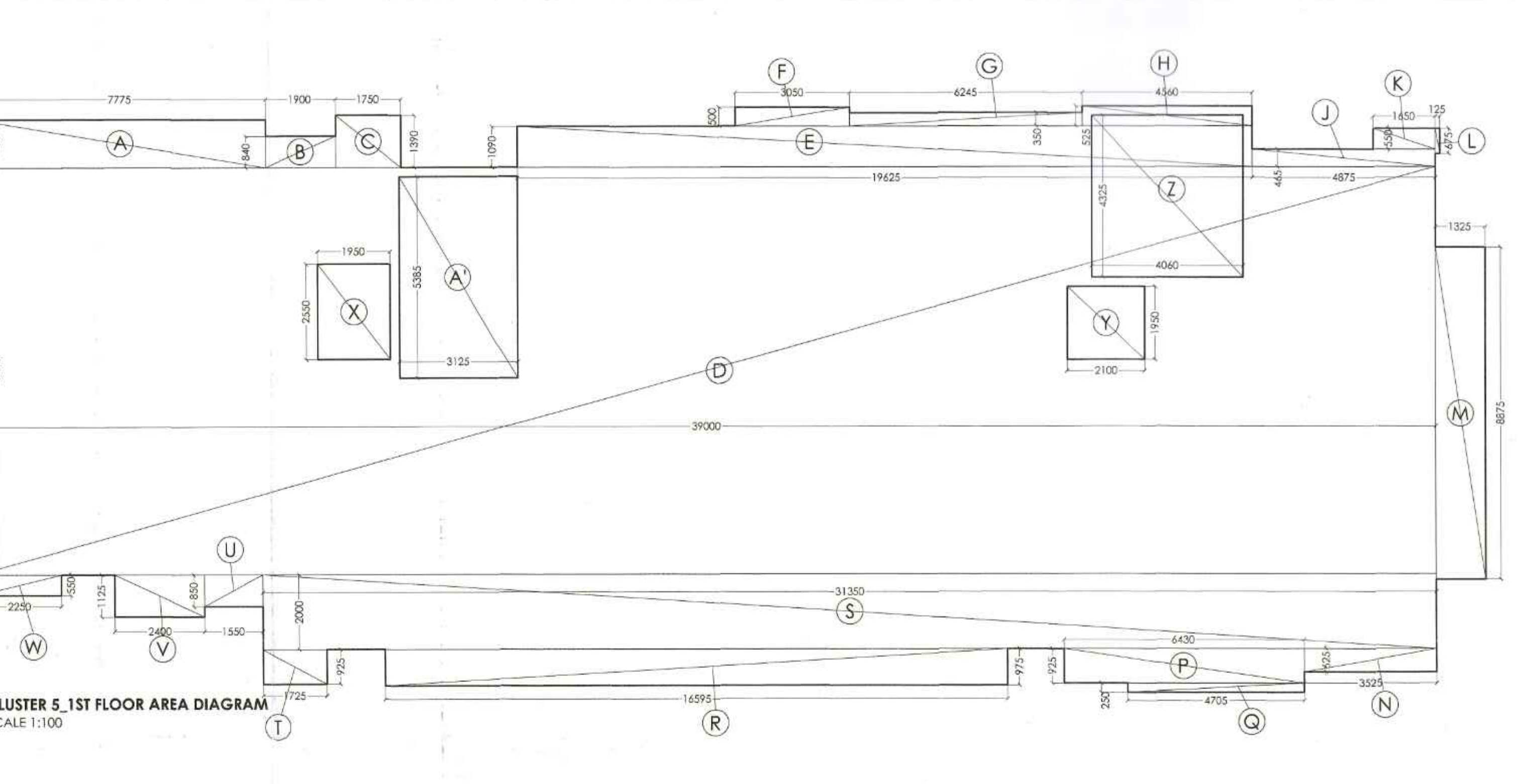


CLUSTER 4 STILT FLOOR AREA DIAGRAM
SCALE 1:100

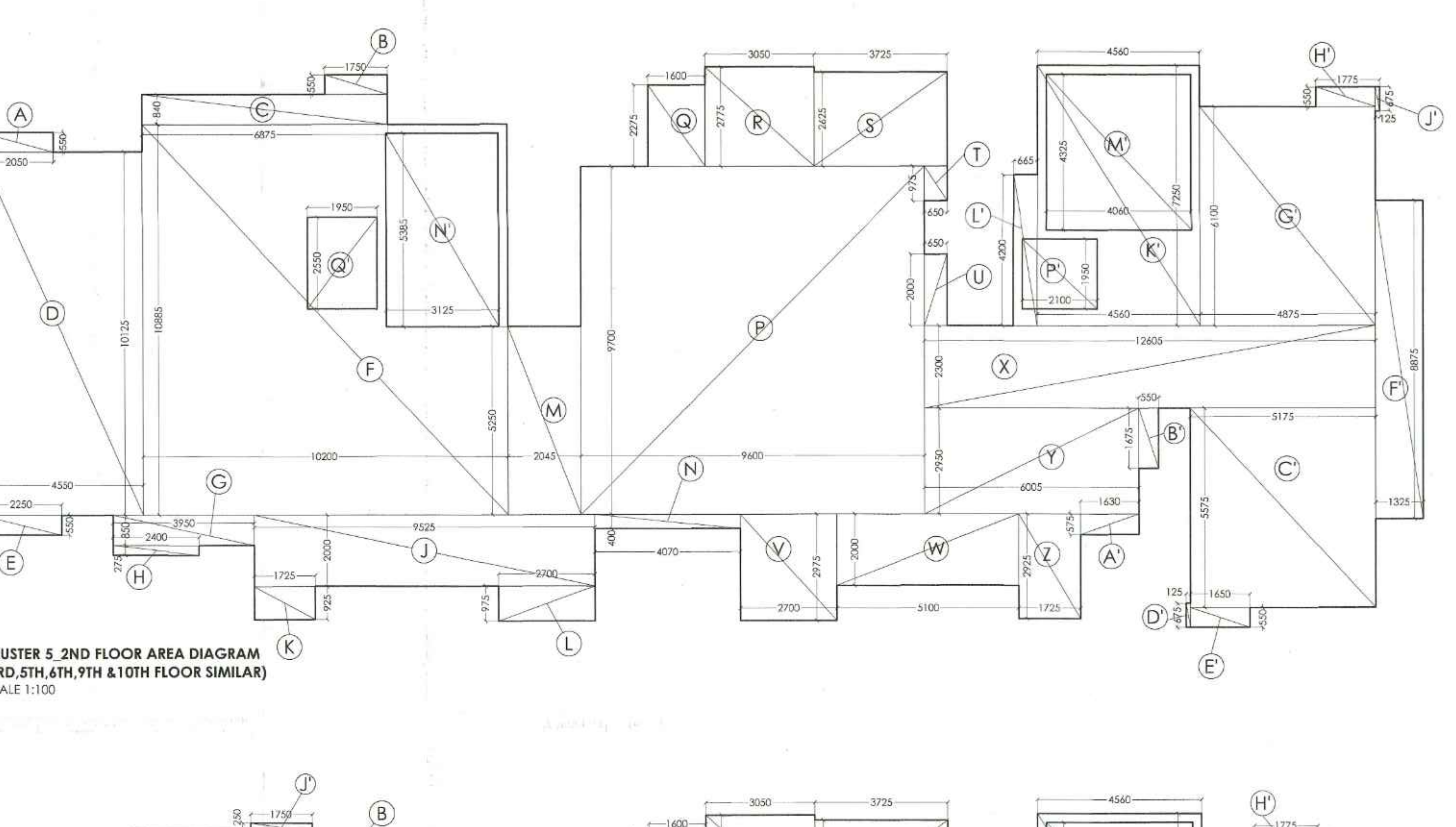
AREA CALCULATION FOR CLUSTER 5 - STILT FLOOR					
SL. NO.	REGION	Length (in mm)	Width (in mm)	Factor	AREA (in Sq.M)
1	A	321	465	1	0.15
2	B	2179	5650	1	12.31
3	C	1121	8500	1	9.57
4	D	4870	7985	1	38.89
5	E	9950	4350	1	43.28
6	F	7090	2225	1	15.75
7	G	5225	4325	1	22.60
8	H	4560	3050	1	13.91
TOTAL (A)					156.26
AREA DEDUCTION - STAIRCASE & LIFT LOBBY (NON FAR)					17.65
14	P1	4325	4050	1	17.56
15	P2	5385	3125	1	16.83
16	lift lobby 1			1	3.00
17	lift lobby 1			1	3.00
TOTAL (B)					40.39
TOTAL (A-B)					115.87



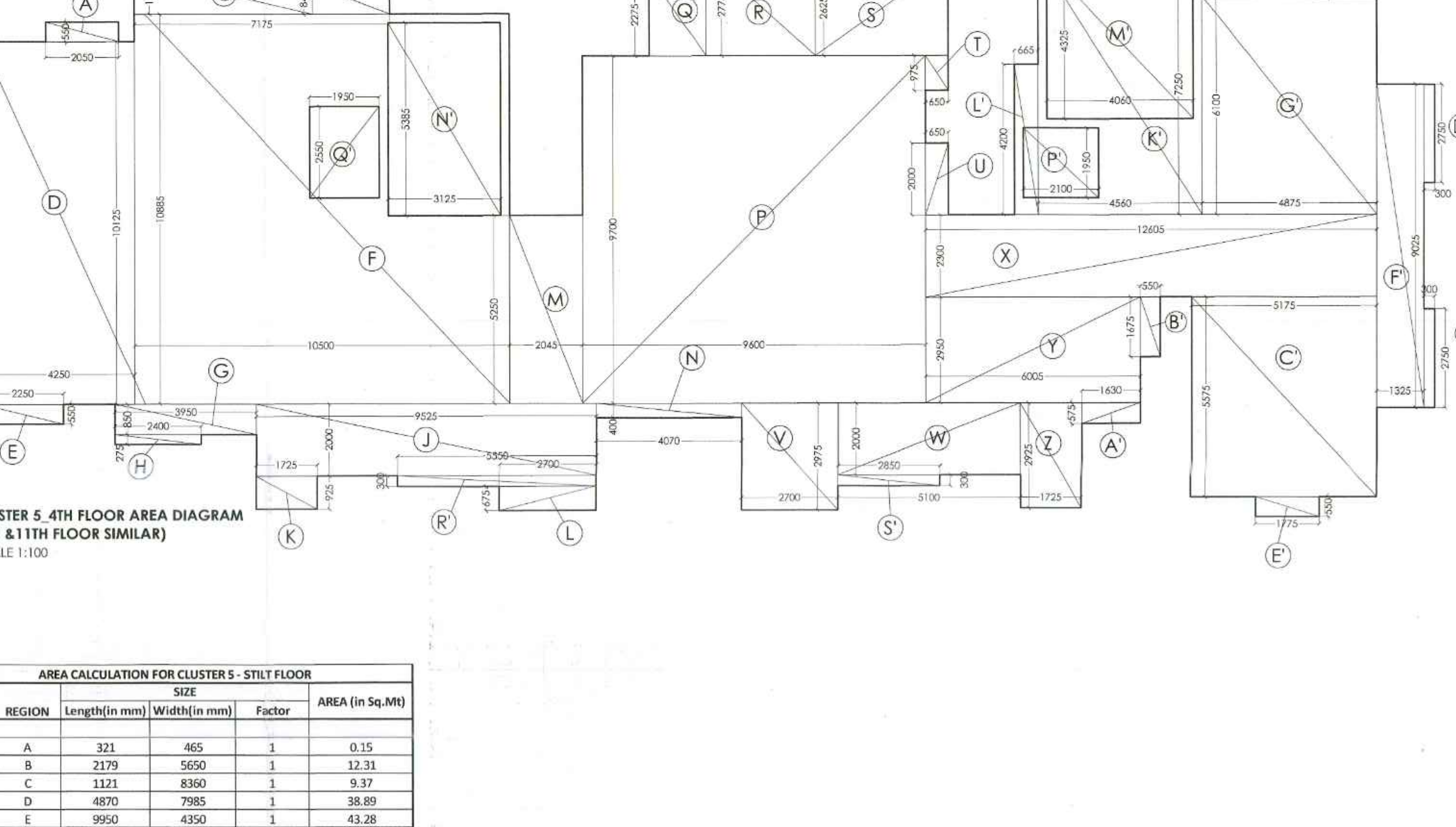
CLUSTER 5 STILT FLOOR AREA DIAGRAM
SCALE 1:100



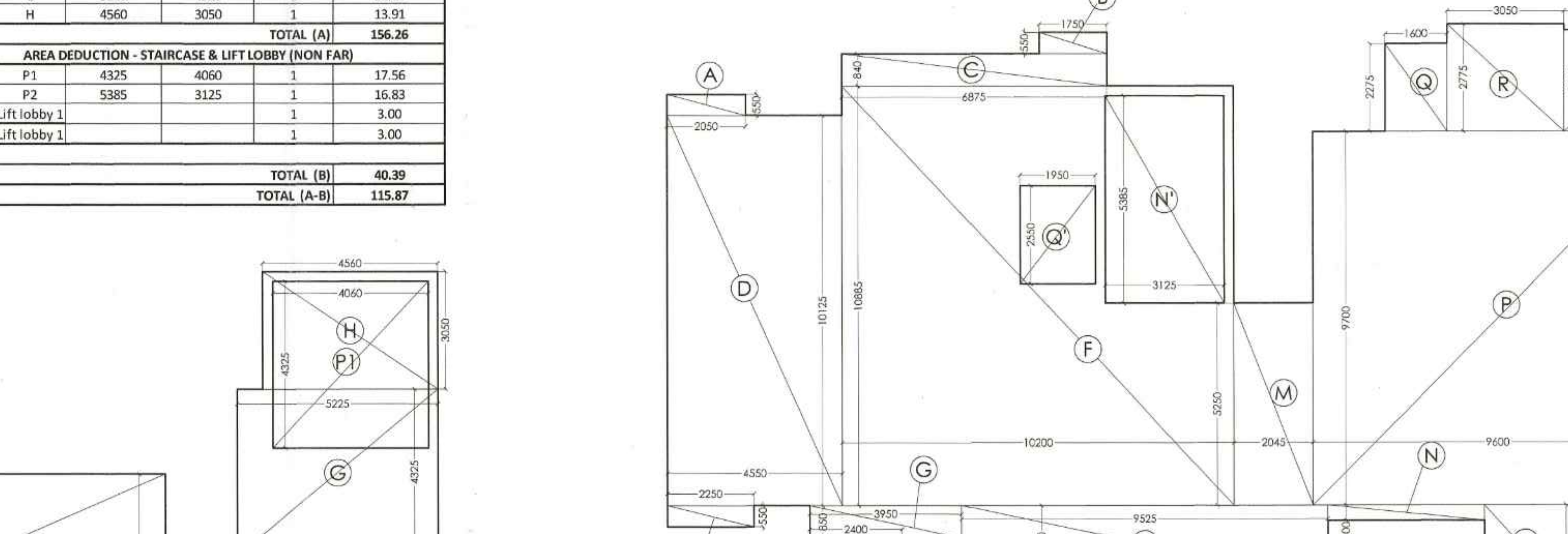
CLUSTER 5 1ST FLOOR AREA DIAGRAM
SCALE 1:100



CLUSTER 5 2ND FLOOR AREA DIAGRAM
(3RD, 5TH, 6TH, 8TH, 9TH & 10TH FLOOR SIMILAR)
SCALE 1:100



CLUSTER 5 4TH FLOOR AREA DIAGRAM
(7TH & 11TH FLOOR SIMILAR)
SCALE 1:100



CLUSTER 5 8TH FLOOR AREA DIAGRAM
SCALE 1:100

AREA CALCULATION FOR CLUSTER 5 - 1ST FLOOR					
SL. NO.	REGION	Length (in mm)	Width (in mm)	Factor	AREA (in Sq.M)
1	A	7775	1287	1	10.01
2	B	1900	800	1	1.52
3	C	1750	1390	1	2.43
4	D	3000	10885	1	42.54
5	E	3050	500	1	1.53
6	F	3050	500	1	1.53
7	G	6245	350	1	2.19
8	H	4560	585	1	2.69
9	J	4875	465	1	2.27
10	K	1650	550	1	0.91
11	L	675	125	1	0.08
12	M	8875	1125	1	11.18
13	N	3525	625	1	2.20
14	P	6430	945	1	5.95
15	Q	4705	290	1	1.38
16	R	16955	975	1	16.18
17	S	31950	2000	1	62.70
18	T	1725	925	1	1.24
19	U	1550	850	1	1.32
20	V	2400	1125	1	2.70
21	W	2250	550	1	1.24
22	X	2550	1950	-1	-4.97
TOTAL BUILT UP AREA (A)					367.05
AREA DEDUCTION-STAIRCASE, LIFT LOBBY (NON FAR)					17.65
35	F'	5385	3125	1	16.83
36	lift lobby 1			1	3.00
37	lift lobby 2			1	3.00
TOTAL NON FAR AREA(B)					40.39
TOTAL FAR AREA (A-B)					326.66

AREA CALCULATION FOR CLUSTER 5 - 4TH FLOOR (7TH & 11TH FLOOR SIMILAR)					
SL. NO.	REGION	Length (in mm)	Width (in mm)	Factor	AREA (in Sq.M)
1	A	2050	550	1	1.13
2	B	1750	840	1	1.47
3	C	5025	1140	1	5.73
4	D	4250	10125	1	43.03
5	E	2250	350	1	1.34
6	F	10500	3885	1	114.29
7	G	3950	800	1	3.16
8	H	2400	175	1	0.42
9	J	9525	3000	1	19.05
10	K	1725	925	1	1.60
11	M	2700	970	1	1.92
12	N	5250	2045	1	10.74
13	N	4070	400	1	1.63
14	P	9600	970	1	93.12
15	Q	1800	225	1	0.41
16	R	3050	2725	1	8.46
17	S	3725	2625	1	9.78
18	T	650	925	1	0.61
19	U	2000	650	1	1.30
20	V	2700	2975	1	8.03
21	W	2000	1000	1	10.20
22	X	12605	2300	-1	-28.99
23	Y	6005	2550	1	17.71
24	Z	2925	1725	1	5.05
25	A'	1630	925	1	0.94
26	B'	1675	550	1	0.92
27	C'	5175	5075	1	26.85
28	D'	2700	300	2	1.65
29	E'	1775	550	1	0.98
30	F'	9025	1325	1	11.96
31	G'	4875	600	1	29.16
32					